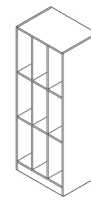


# 113 Big Book Storage 9 Shelf

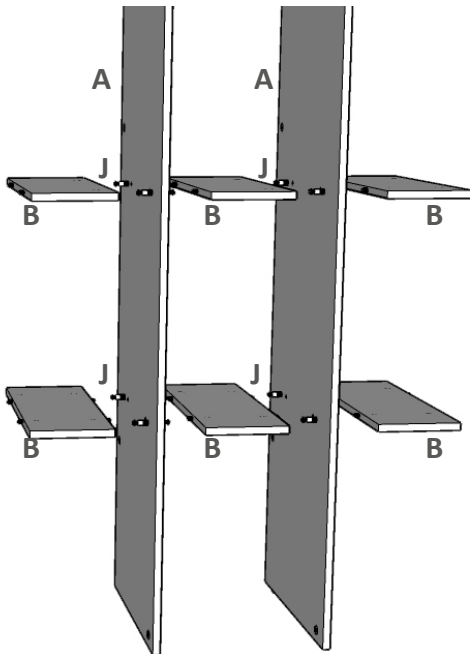


Read all instructions first prior to starting assembly

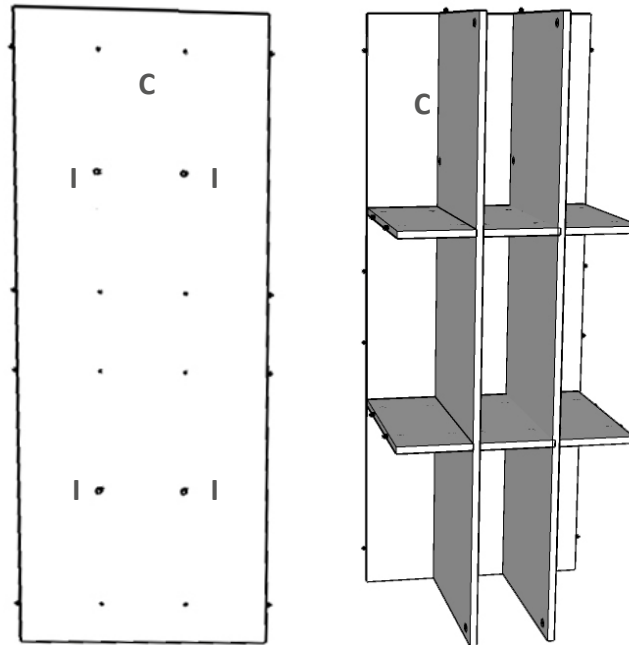
Parts Supplied:

<b>A</b>	<b>B</b>	<b>C</b>	<b>D</b>	<b>E</b>	<b>F</b>	<b>G</b>	<b>H</b>	<b>I</b>	<b>J</b>	
2 x Internal Uprights 482mm x 1660mm	6 x Internal Shelves 203mm x 477mm	1 x Back Panel 644mm x 1663mm	1 x Base Board (holes on both sides) 500mm x 644mm	1 x Top Panel 500mm x 644mm	1 x Internal Plynth 102mm x 464mm	2 x External Plynth 102mm x 644mm	2 x Side Panels 500mm x 1800mm	36 x Cam pins 36 x Cam locks (pre-inserted - not loose)	8 x Double Cam pins 16 x Cam locks (pre-inserted - not loose)	

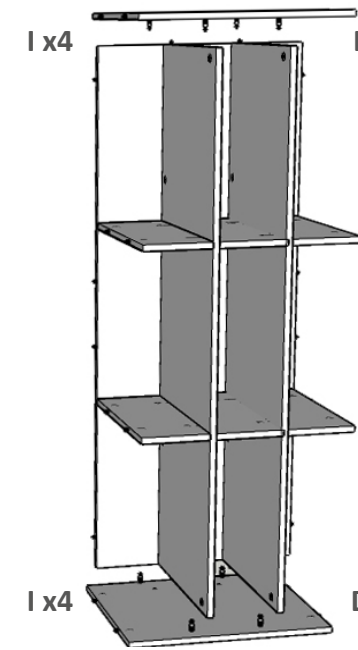
**Step 1:** Insert double cam pins (J) through holes in Internal Uprights (A). Push internal shelves (B) onto cam pins. Lock cam pins in by turning cam locks 90 degrees



**Step 2:** Insert 4 cam pins (I) in Back Panel (C). Push internal uprights (A) onto cam pins. Lock cam pins in by turning cam locks 90 degrees

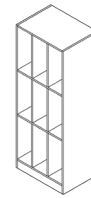


**Step 3:** Insert 4 cam pins (I) in Base Board (D) and 4 cam pins (I) in Top Panel (E). Push onto assembled shelves. Lock cam pins in by turning cam locks 90 degrees.

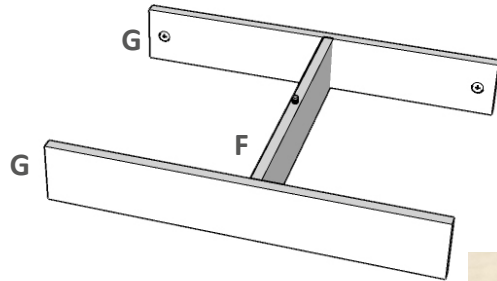


Have the unit lying with the back board on the floor, not standing upright, for construction.

# 113 Big Book Storage 9 Shelf



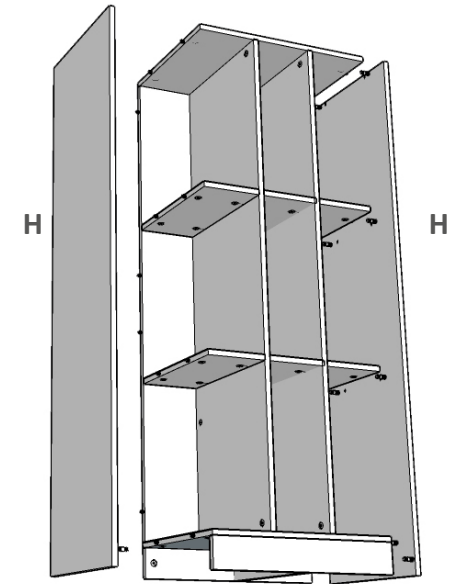
Step 4: Assembly plinth by pushing together External Plinth (G) on to Internal Plinth (F). Then push the plinth onto the base of the shelves.



**NOTE:** Push in feet (white) will be on the bottom side of the plinth



Step 5: Insert 12 cam pins (I) into each Side Panel (H). Push side panels onto cam pins. Lock cam pins in by turning cam locks 90 degrees



**NOTE:** Push in feet (white) will be on the bottom side of the side panels.

When bookcase is completed, for safety, we recommend that you use two people to lift the unit to an upright position and when placing in position or moving around.

We also recommend that this unit be positioned against a wall and attached to the wall for safety. Attaching screws and brackets are not provided, but can be purchased from any hardware supplier and will depend on the wall the unit is being placed against.