

# Benny Big Book Display Box



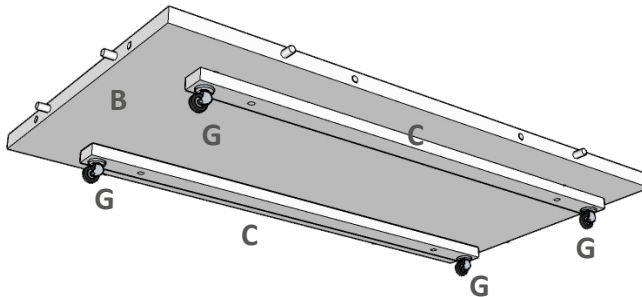
**Parts Supplied:**

A	B	C	D	E	F	G	H	I
2 x End Panels 380mm x 420mm	1 x Base Panel 725mm x 385mm	2 x Metal Castor Rods	2 x Side Panels 725mm x 385mm	2 x Internal Divider Panels 725mm x 390mm	1 x Centre Panel 725mm x 400mm	2 x swivel castors & 2 x locking castors	18 x Cam Pins	4 x Nut & Bolt Set

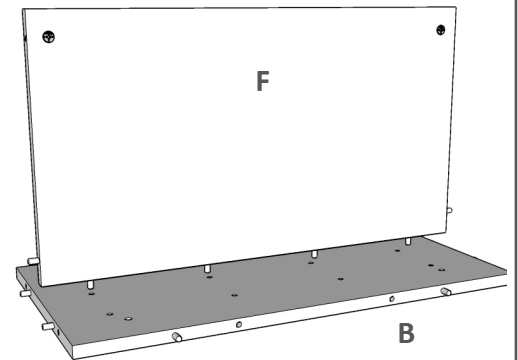
**Step 1:** screw all cam pins (H) into metal screw holes in (A) & (D)



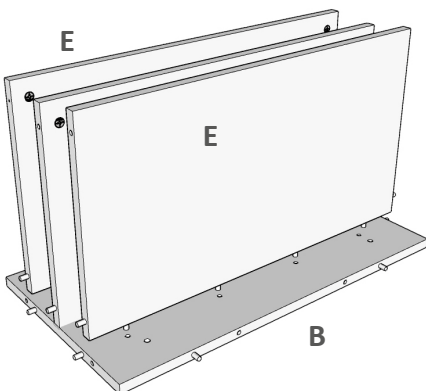
**Step 2:** Put bolt (I) through top of base board (B) and rail (C), secure with bolt. Attach castors (G) to rail.



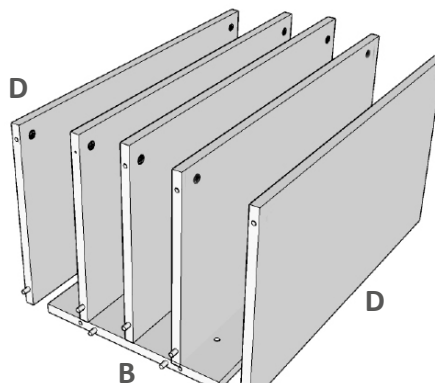
**Step 3:** Push centre panel (F) into centre of base panel (B)



**Step 3:** Push internal dividers panels (E) into base panel (B)



**Step 4:** Push side panels (D) into base panel (B). Lock cam locks by turning until tight.



**Step 5:** Finish unit by adding end panels (A). Lock cam locks by turning cam locks until tight.

